

4

3

2

1

D

D

C

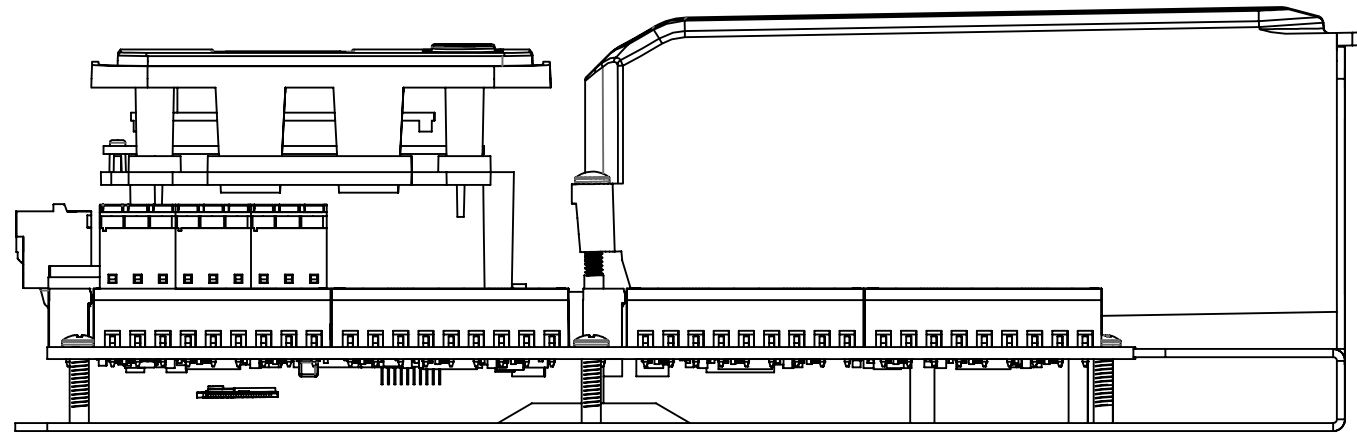
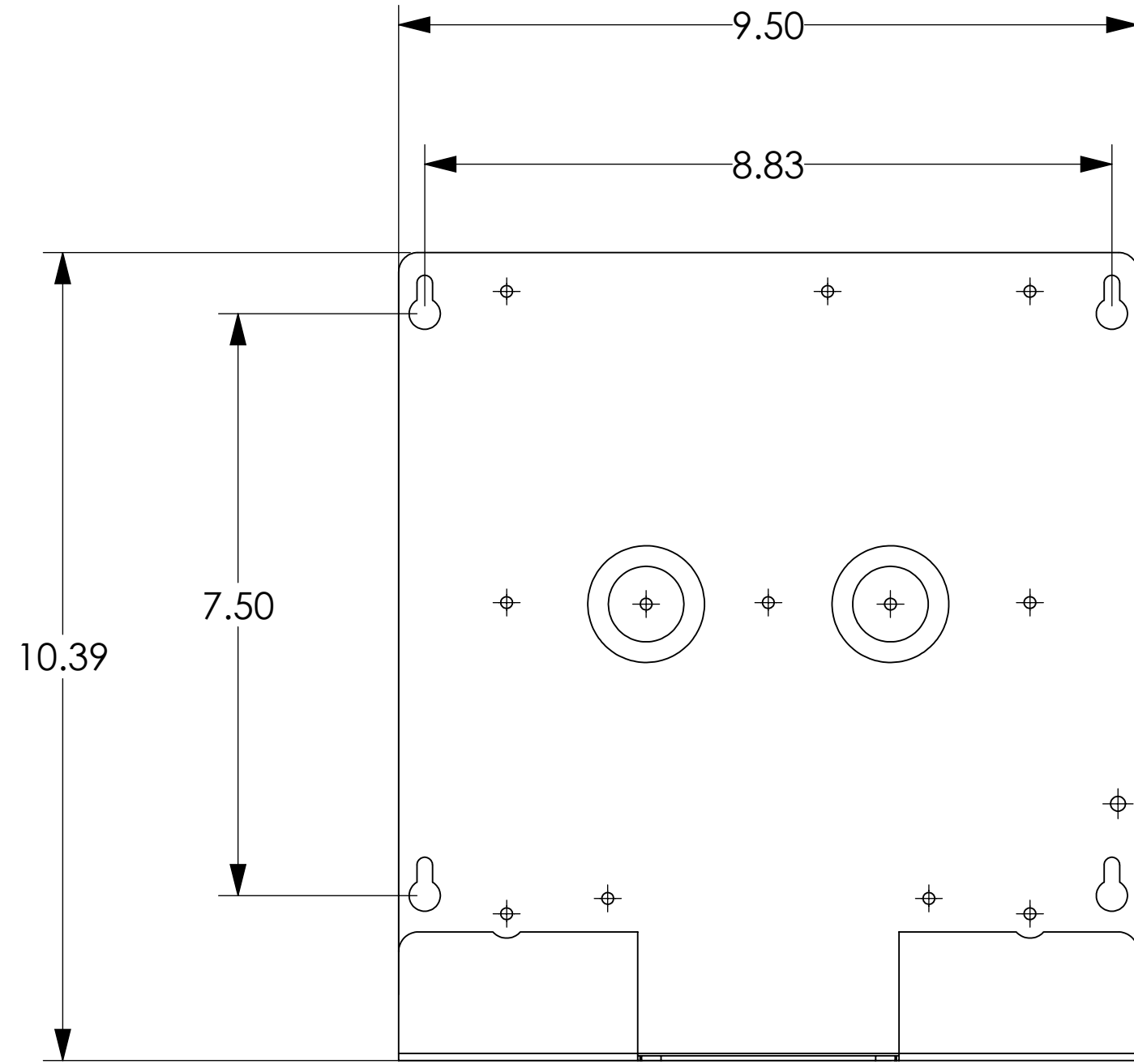
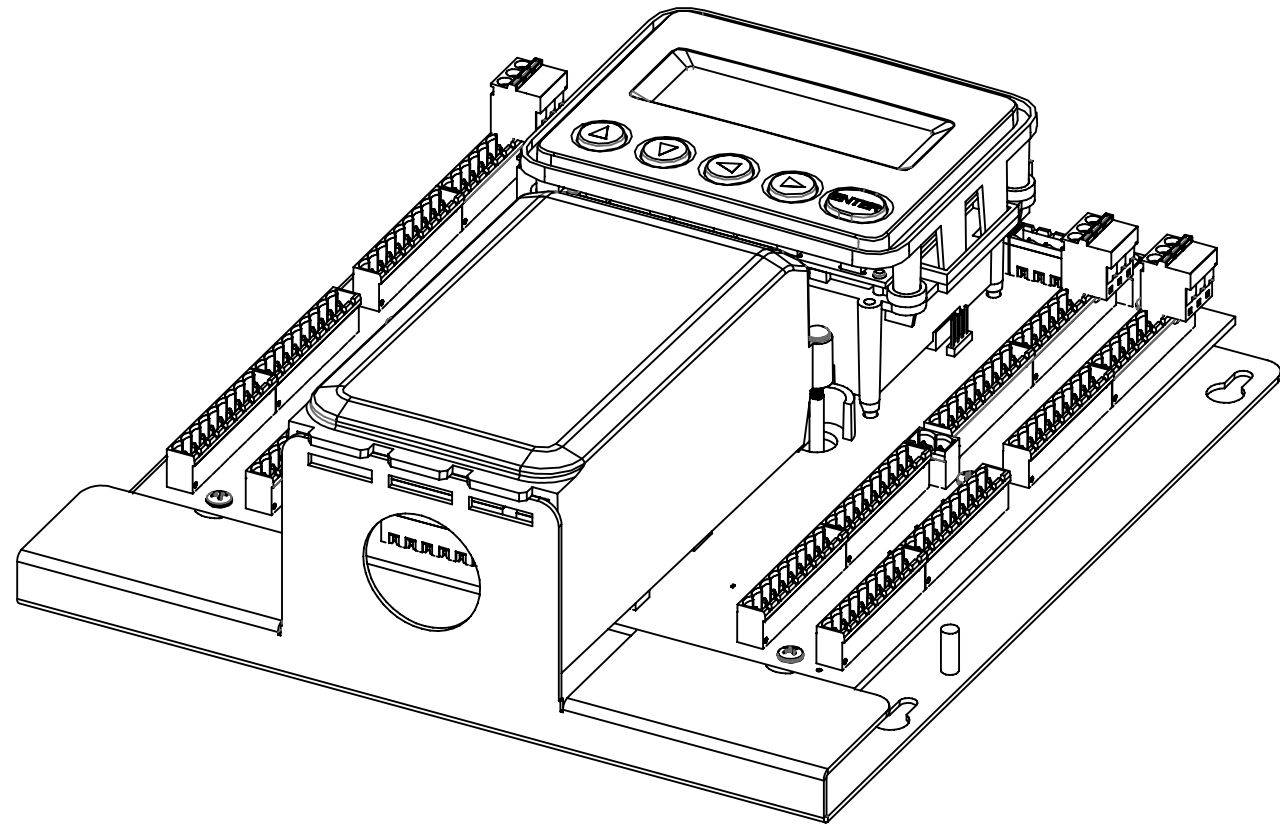
C


B

B

A

A



 PART OF BEMSIG GROUP	UNLESS OTHERWISE SPECIFIED:	NAME	DATE	TITLE: PS48FX PLATE	
	DIMENSIONS ARE IN INCHES	DRAWN	JB		11.06.17
	TOLERANCES:	CHECKED			
	FRACTIONAL ± 1/64 ANGULAR: MACH ± 0.5° TWO PLACE DECIMAL ± .02 THREE PLACE DECIMAL ± .010	ENG APPR.			
PROPRIETARY AND CONFIDENTIAL THE INFORMATION CONTAINED IN THIS DRAWING IS THE SOLE PROPERTY OF DENT INSTRUMENTS, INC. ANY REPRODUCTION IN PART OR AS A WHOLE WITHOUT THE WRITTEN PERMISSION OF DENT INSTRUMENTS, INC. IS PROHIBITED.	INTERPRET GEOMETRIC TOLERANCING PER:	Q.A.			
	MATERIAL	COMMENTS:			
	ALUMINUM .063	06.05.2026 - Updated sheet format		SIZE DWG. NO. REV C PS48FXPDN A	
	FINISH			SCALE: 1:2 WEIGHT: 0.85 lbs SHEET 1 OF 1	
	BLACK SEMI-GLOSS (P.C.)				
	DO NOT SCALE DRAWING				

4

3

2

1