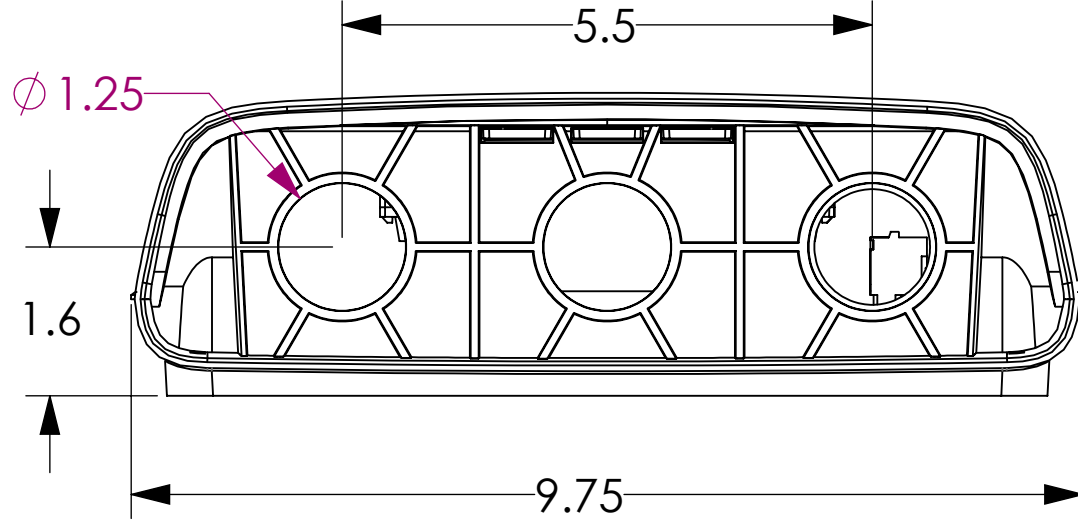
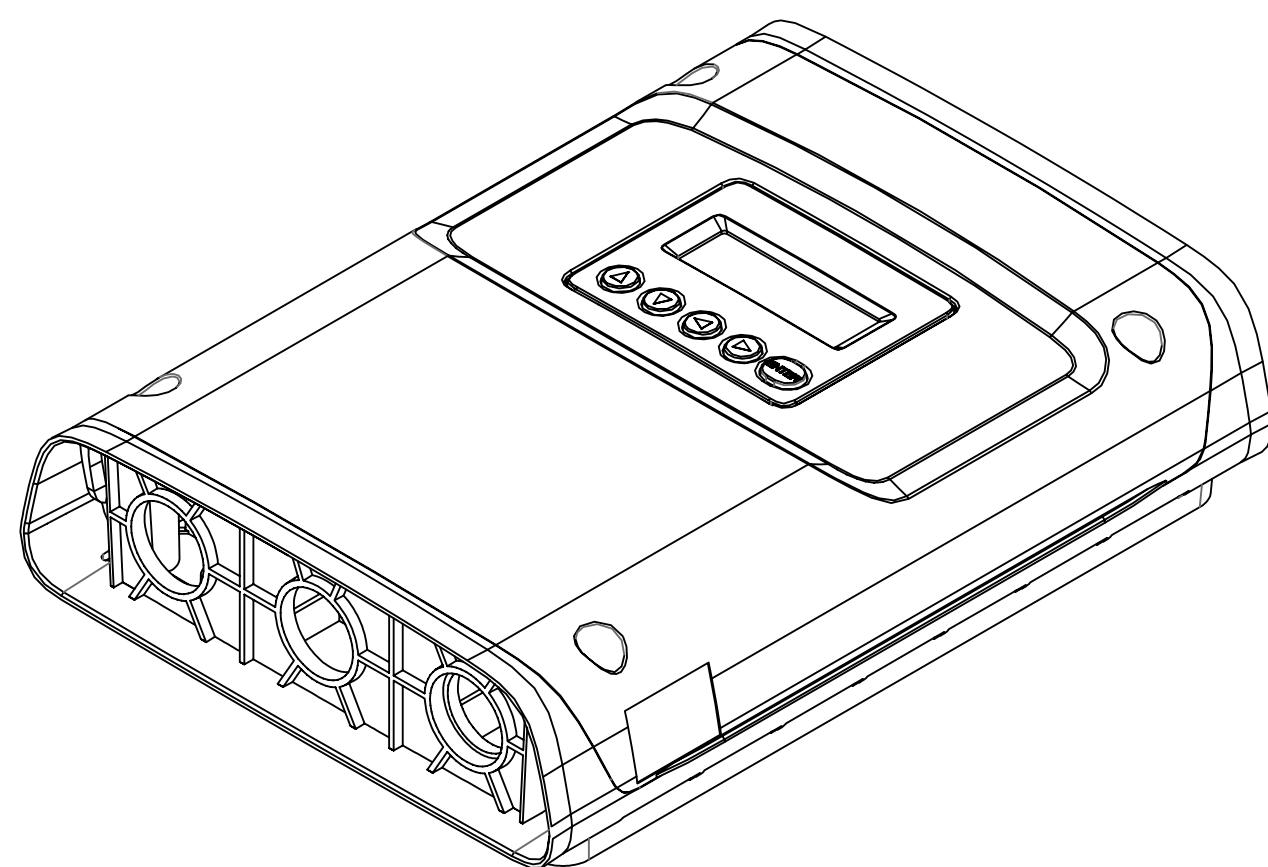
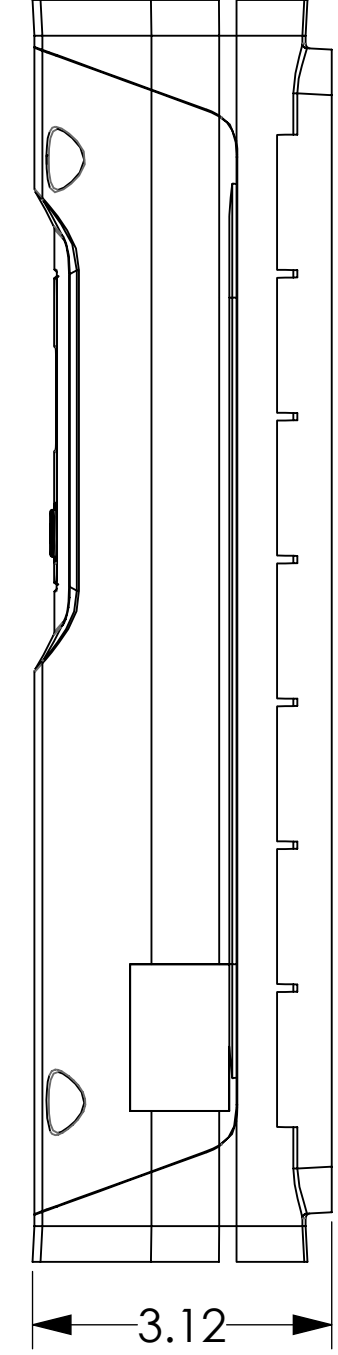
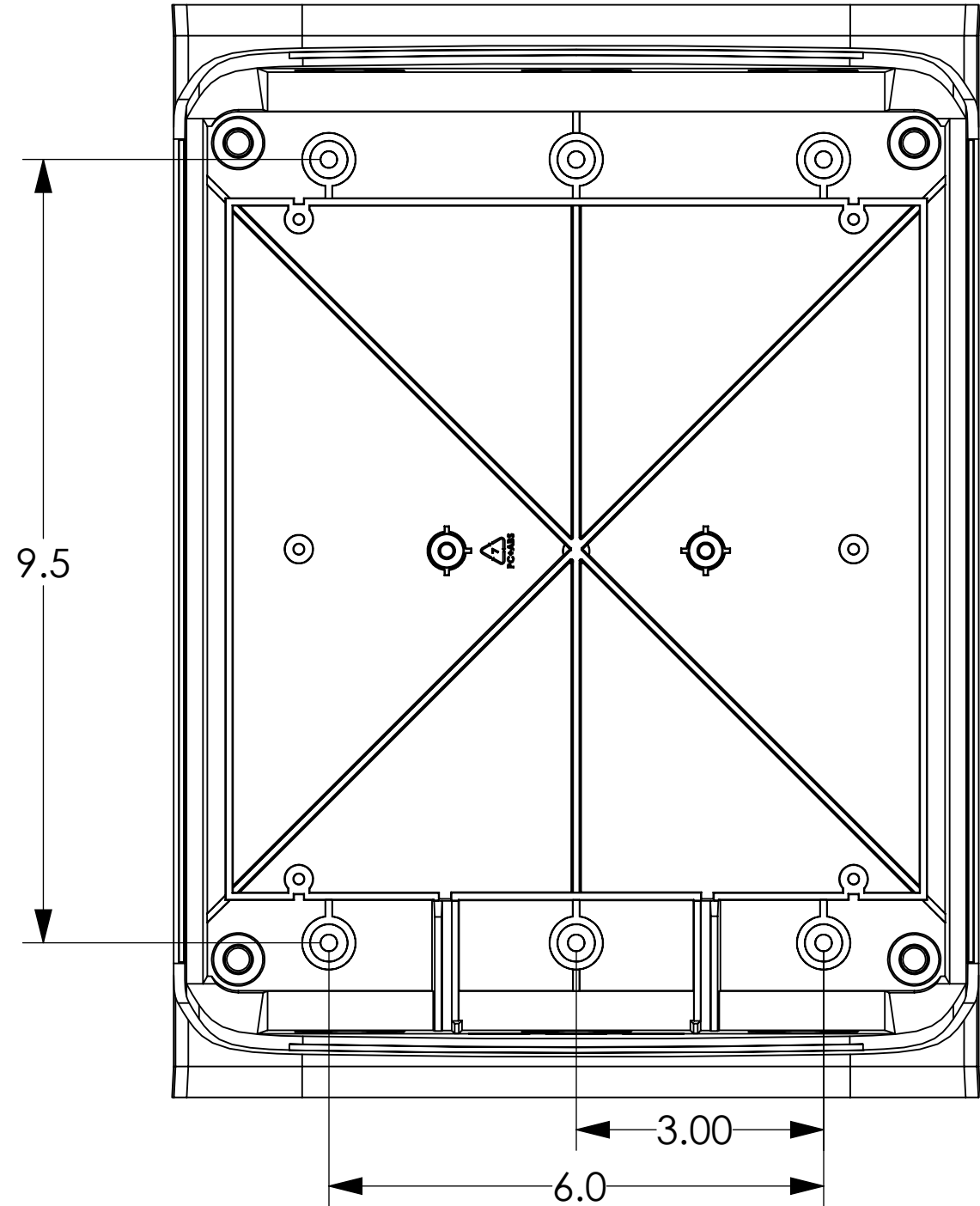
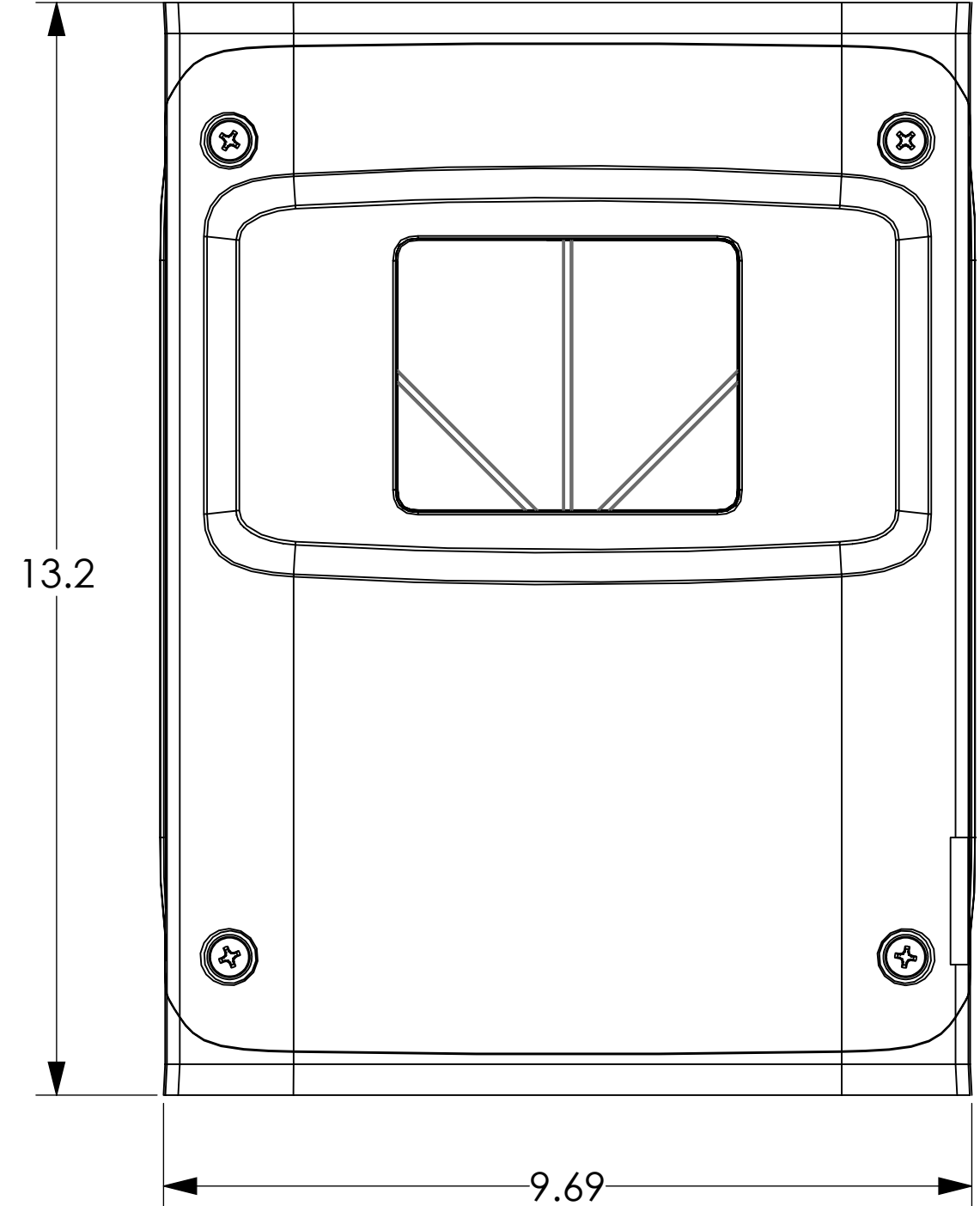


4

3

2

1



**PROPRIETARY AND CONFIDENTIAL**  
 THE INFORMATION CONTAINED IN THIS DRAWING IS THE SOLE PROPERTY OF DENT INSTRUMENTS, INC. ANY REPRODUCTION IN PART OR AS A WHOLE WITHOUT THE WRITTEN PERMISSION OF DENT INSTRUMENTS, INC. IS PROHIBITED.

UNLESS OTHERWISE SPECIFIED:  
 DIMENSIONS ARE IN INCHES  
 TOLERANCES:  
 FRACTIONAL ± 1/64  
 ANGULAR: MACH ± 0.5°  
 TWO PLACE DECIMAL ± .02  
 THREE PLACE DECIMAL ± .010  
 INTERPRET GEOMETRIC TOLERANCING PER:  
 MATERIAL  
 CYCLOY C2950 PCABS  
 FINISH  
 MT-11020 BLACK (PMS-3)  
 DO NOT SCALE DRAWING

	NAME	DATE
DRAWN	JB	10.16.17
CHECKED		
ENG APPR.		
MFG APPR.		
Q.A.		
COMMENTS:	06.05.2026 - Updated sheet format	

TITLE:  
**PS48FX ENCLOSURE**

SIZE	DWG. NO.	REV
<b>C</b>	<b>PS48FXCDN</b>	<b>A</b>
SCALE: 1:2 WEIGHT: 0.85 lbs		SHEET 1 OF 1

4

3

2

1

D

D

C

C

B

B

A

A