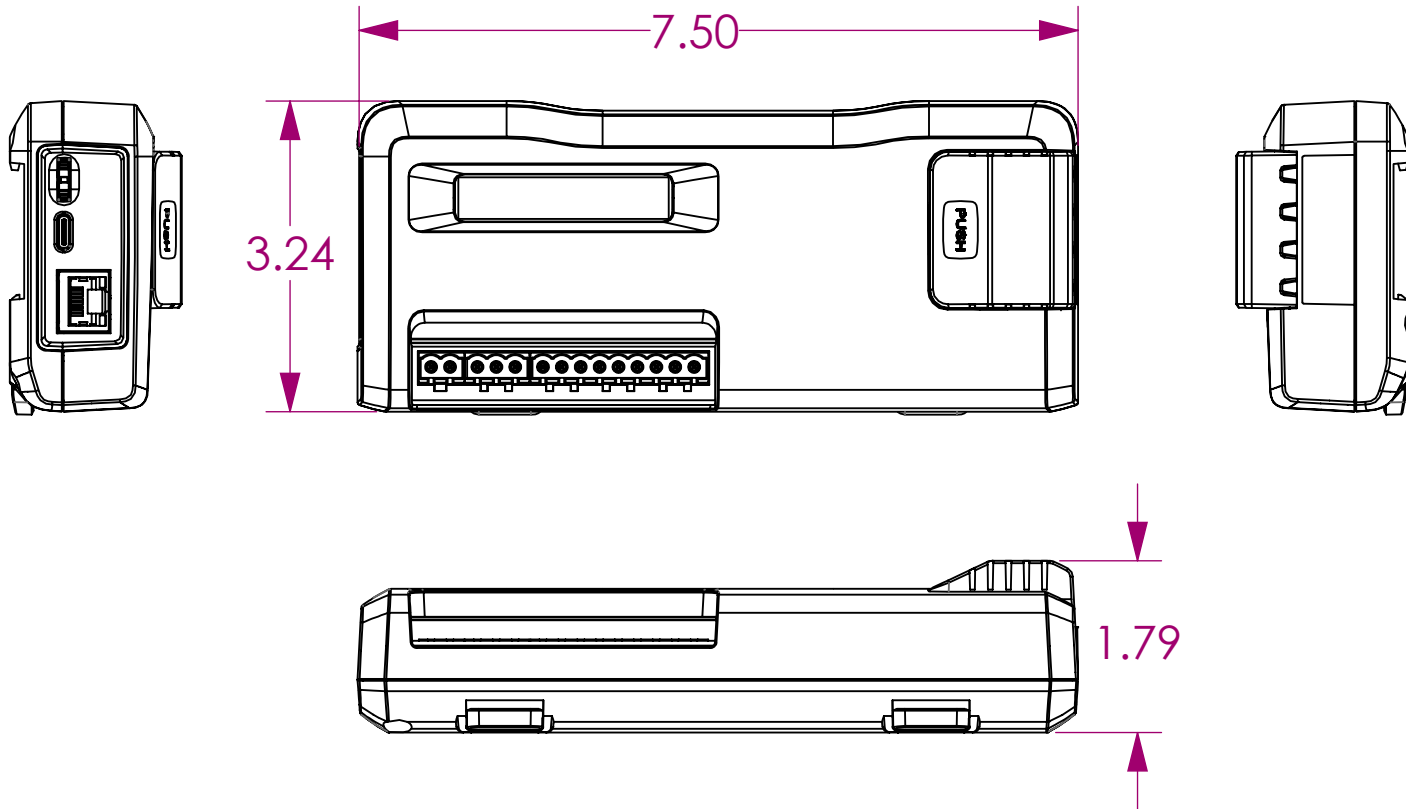


2

1


B

B



A

A

 <b>FART OF BEMSIO GROUP</b>	UNLESS OTHERWISE SPECIFIED: DIMENSIONS ARE IN INCHES TOLERANCES: FRACTIONAL ± 1/64 ANGULAR: MACH ± 0.5° TWO PLACE DECIMAL ± 0.2 THREE PLACE DECIMAL ± 0.10	NAME DATE	TITLE: <h1>PS3FX RAIL MOUNT</h1>	
	INTERPRET GEOMETRIC TOLERANCING PER: MATERIAL <b>CYCLOY C2950 PCABS</b> FINISH <b>MT-1 1020 BLACK (PMS-3)</b> DO NOT SCALE DRAWING	DRAWN CHECKED ENG APPR. MFG APPR. Q.A. COMMENTS: 06.05.2026 - Updated sheet format	JB 05.05.18	SIZE <b>A</b>
<b>PROPRIETARY AND CONFIDENTIAL</b> THE INFORMATION CONTAINED IN THIS DRAWING IS THE SOLE PROPERTY OF <b>DENT INSTRUMENTS, INC.</b> ANY REPRODUCTION IN PART OR AS A WHOLE WITHOUT THE WRITTEN PERMISSION OF <b>DENT INSTRUMENTS, INC.</b> IS PROHIBITED.			REV <b>A</b>	SCALE: 1:2 SHEET 1 OF 1

2

1