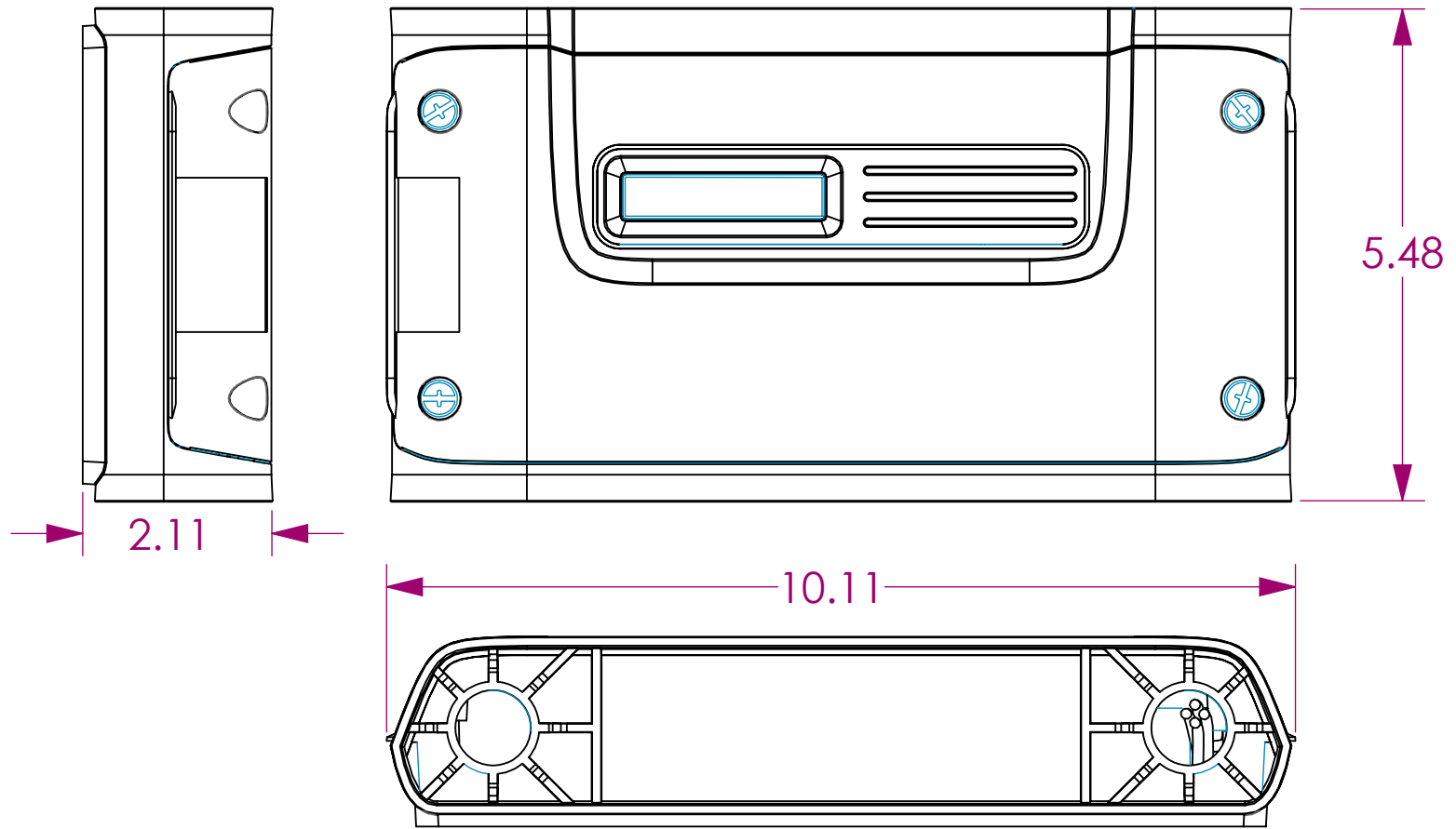


B




B

A

2

1

 FART OF BEMSIQ GROUP	UNLESS OTHERWISE SPECIFIED: DIMENSIONS ARE IN INCHES TOLERANCES: FRACTIONAL $\pm 1/64$ ANGULAR: MACH $\pm 0.5^\circ$ TWO PLACE DECIMAL ± 0.2 THREE PLACE DECIMAL ± 0.10	NAME DRAWN CHECKED ENG APPR. MFG APPR. Q.A. COMMENTS:	DATE 05.05.18	TITLE: <h2 style="text-align: center;">PS3FX ENCLOSURE</h2>
	INTERPRET GEOMETRIC TOLERANCING PER: MATERIAL CYCLOY C2950 PCABS FINISH MT-1 1020 BLACK (PMS-3) DO NOT SCALE DRAWING	06.05.2026 - Updated sheet format	SIZE A	
PROPRIETARY AND CONFIDENTIAL THE INFORMATION CONTAINED IN THIS DRAWING IS THE SOLE PROPERTY OF DENT INSTRUMENTS, INC. ANY REPRODUCTION IN PART OR AS A WHOLE WITHOUT THE WRITTEN PERMISSION OF DENT INSTRUMENTS, INC. IS PROHIBITED.		SCALE: 1:2		SHEET 1 OF 1

A