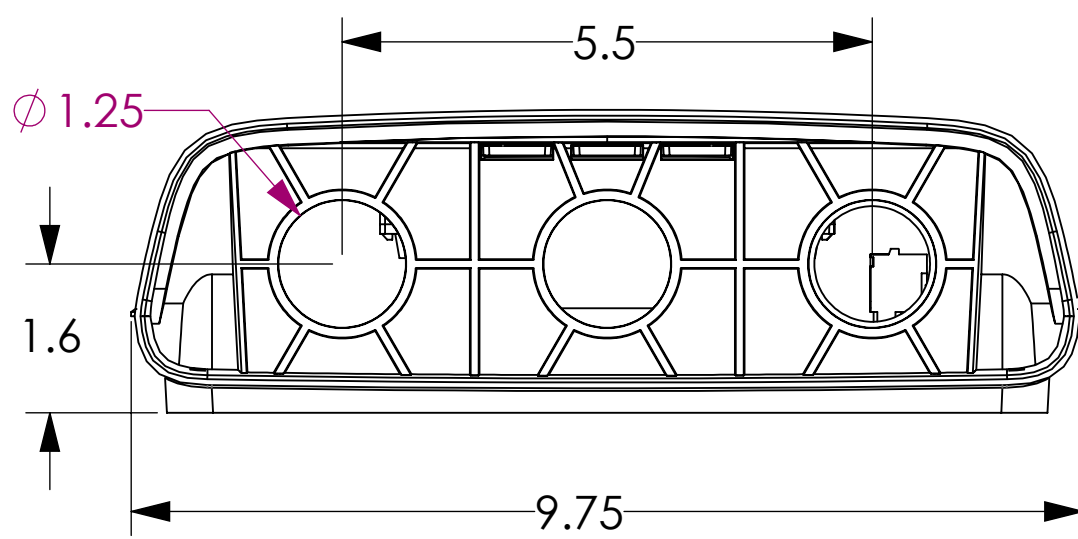
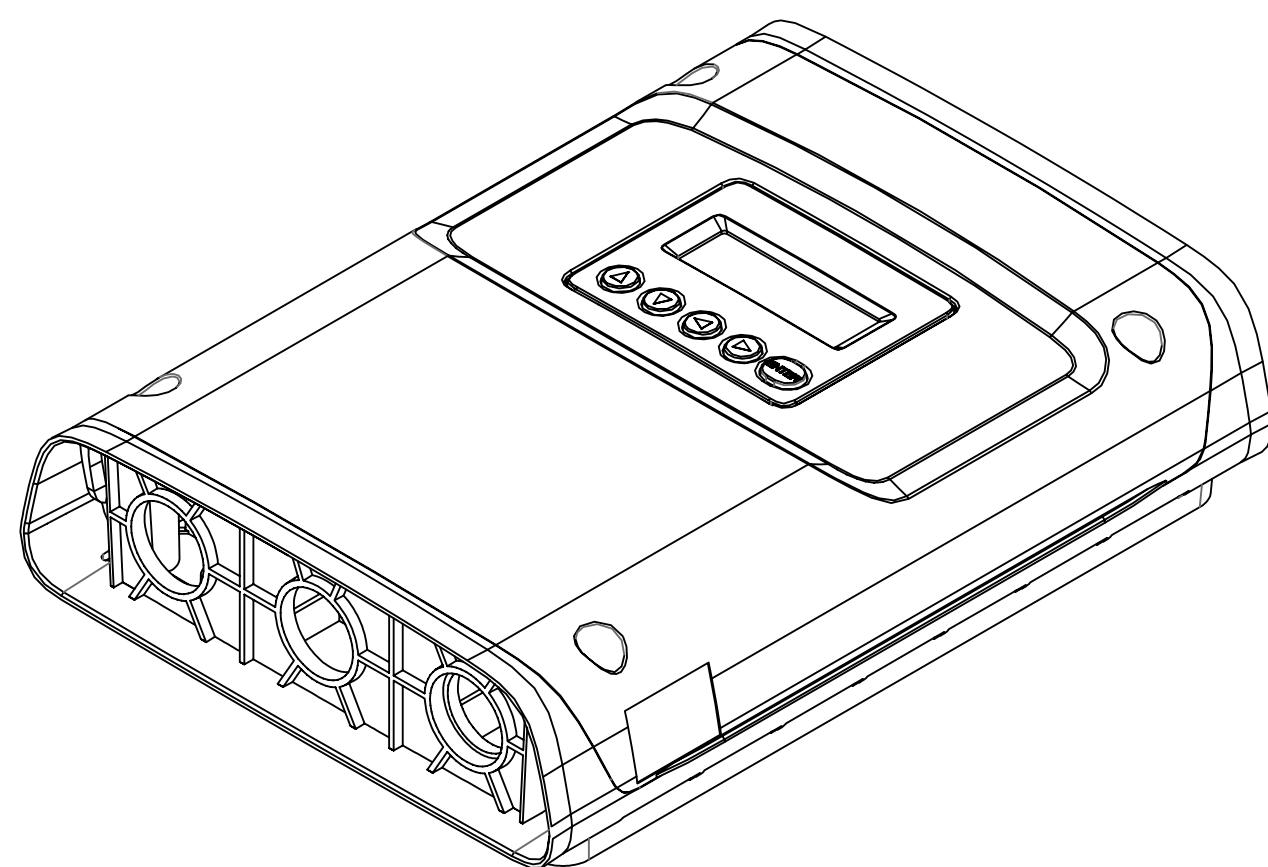
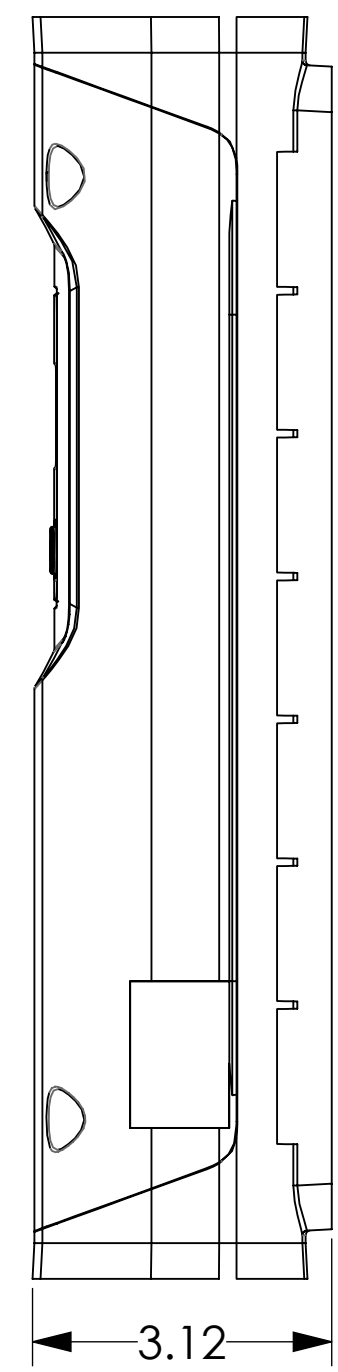
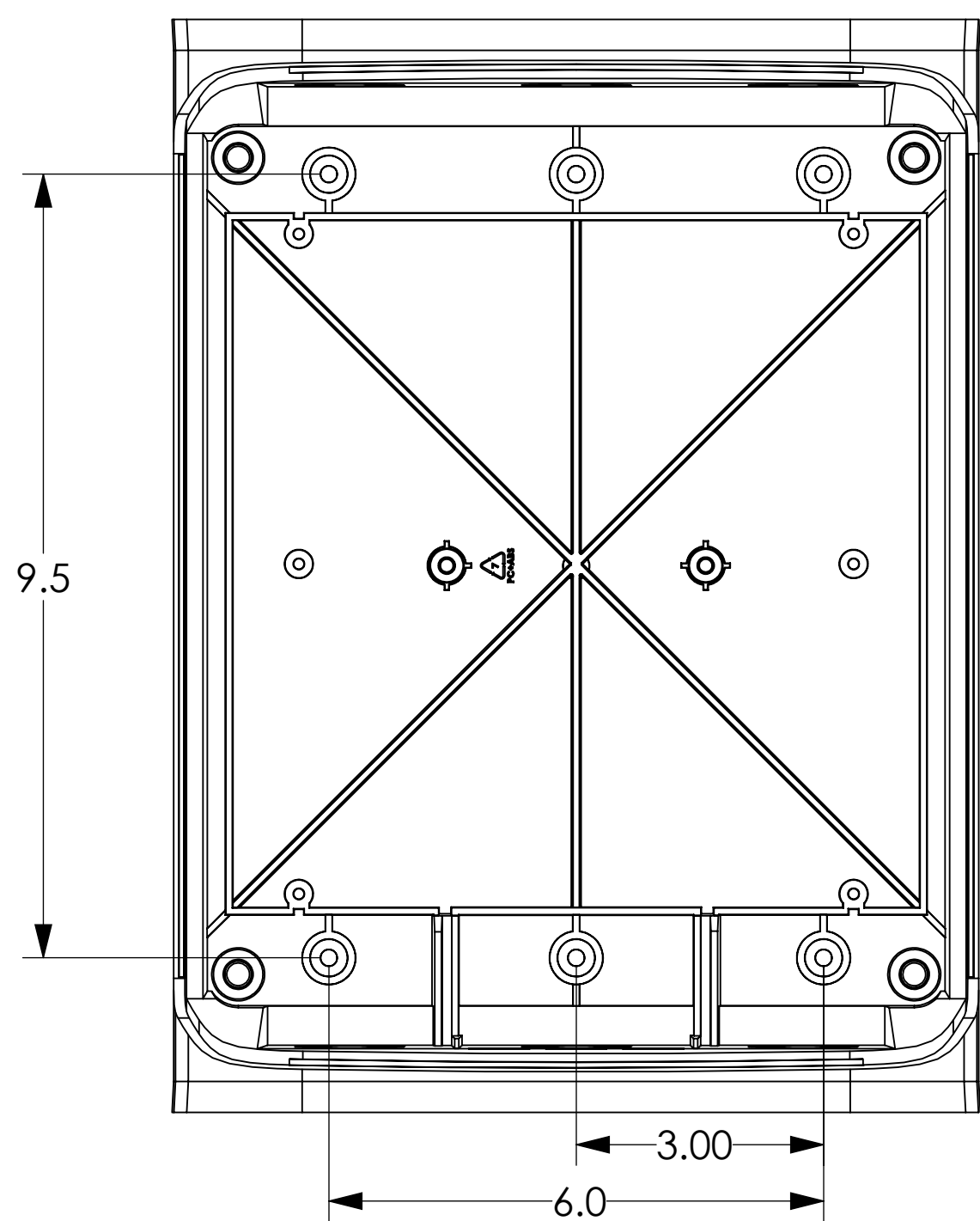
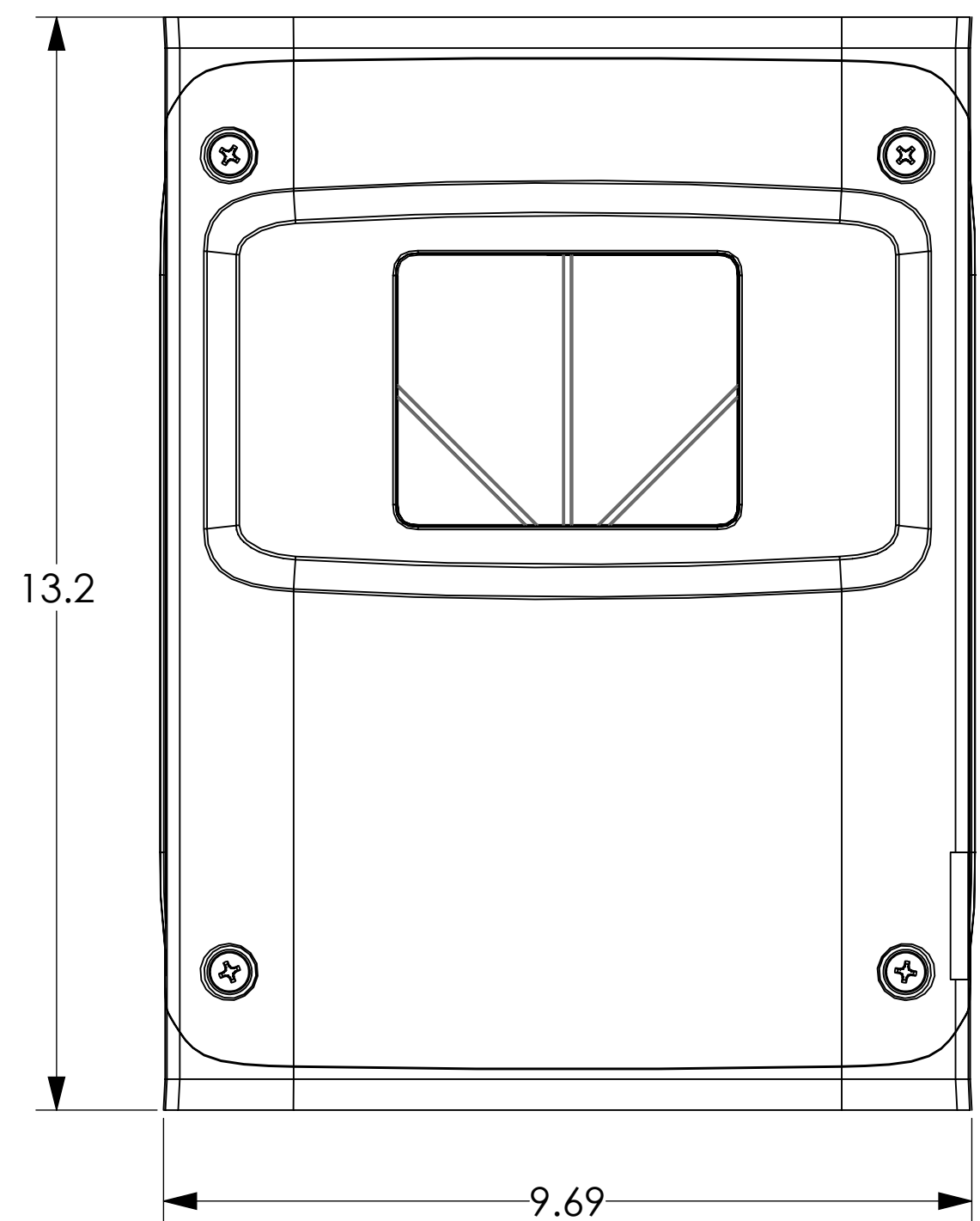


4

3

2

1



PROPRIETARY AND CONFIDENTIAL
 THE INFORMATION CONTAINED IN THIS DRAWING IS THE SOLE PROPERTY OF DENT INSTRUMENTS, INC. ANY REPRODUCTION IN PART OR AS A WHOLE WITHOUT THE WRITTEN PERMISSION OF DENT INSTRUMENTS, INC. IS PROHIBITED.

UNLESS OTHERWISE SPECIFIED:
 DIMENSIONS ARE IN INCHES
 TOLERANCES:
 FRACTIONAL ± 1/64
 ANGULAR: MACH ± 0.5°
 TWO PLACE DECIMAL ± .02
 THREE PLACE DECIMAL ± .010
 INTERPRET GEOMETRIC TOLERANCING PER:
 MATERIAL
 CYCLOY C2950 PCABS
 FINISH
 MT-11020 BLACK (PMS-3)
 DO NOT SCALE DRAWING

| | NAME | DATE |
|-----------|-----------------------------------|----------|
| DRAWN | JB | 10.16.17 |
| CHECKED | | |
| ENG APPR. | | |
| MFG APPR. | | |
| Q.A. | | |
| COMMENTS: | 06.05.2026 - Updated sheet format | |

TITLE:
PS24FX ENCLOSURE

| | | |
|-----------------------------|------------------|--------------|
| SIZE | DWG. NO. | REV |
| C | PS24FXCDN | A |
| SCALE: 1:2 WEIGHT: 0.85 lbs | | SHEET 1 OF 1 |

4

3

2

1

D

D

C

C

B

B

A

A