

4

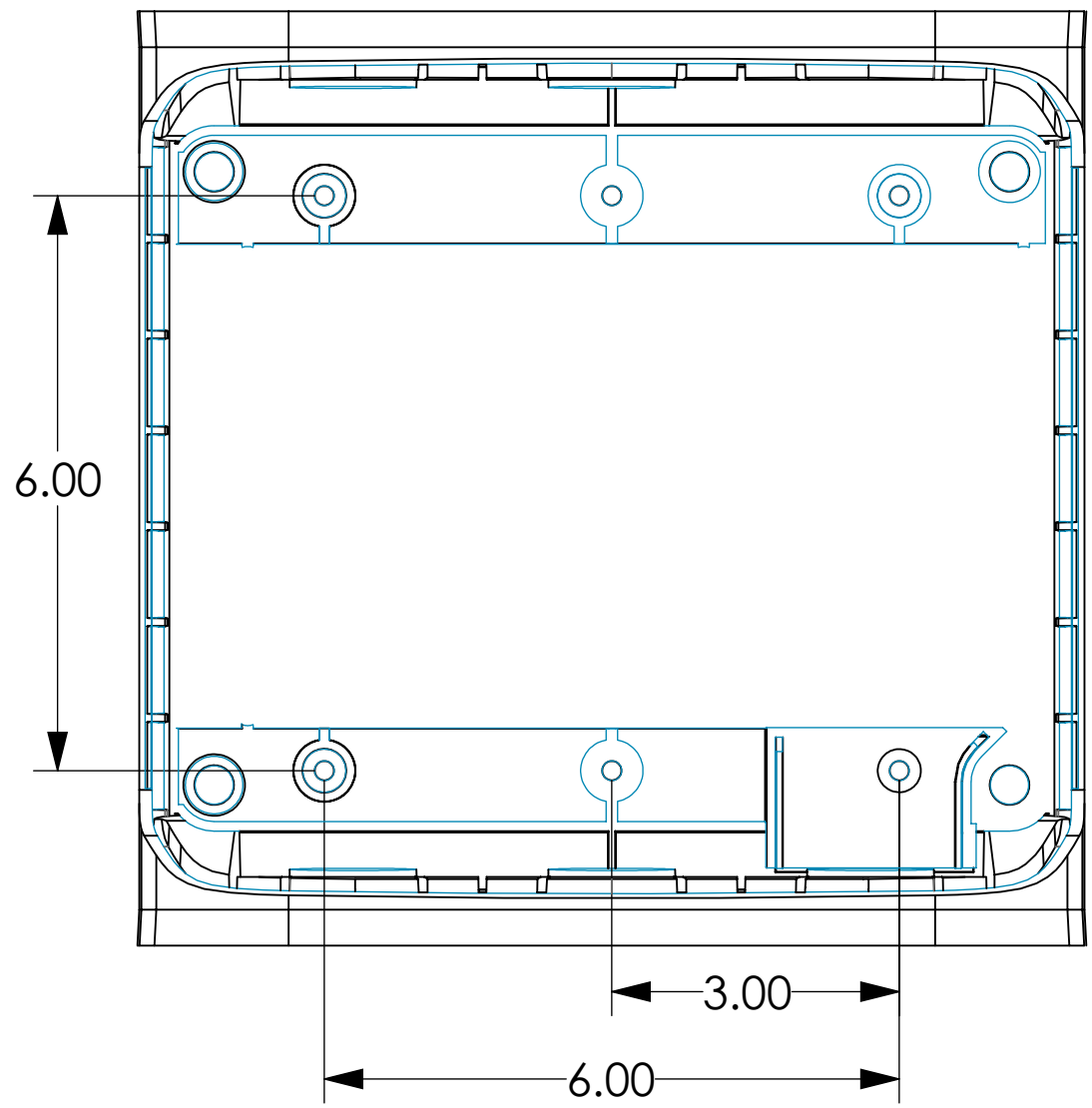
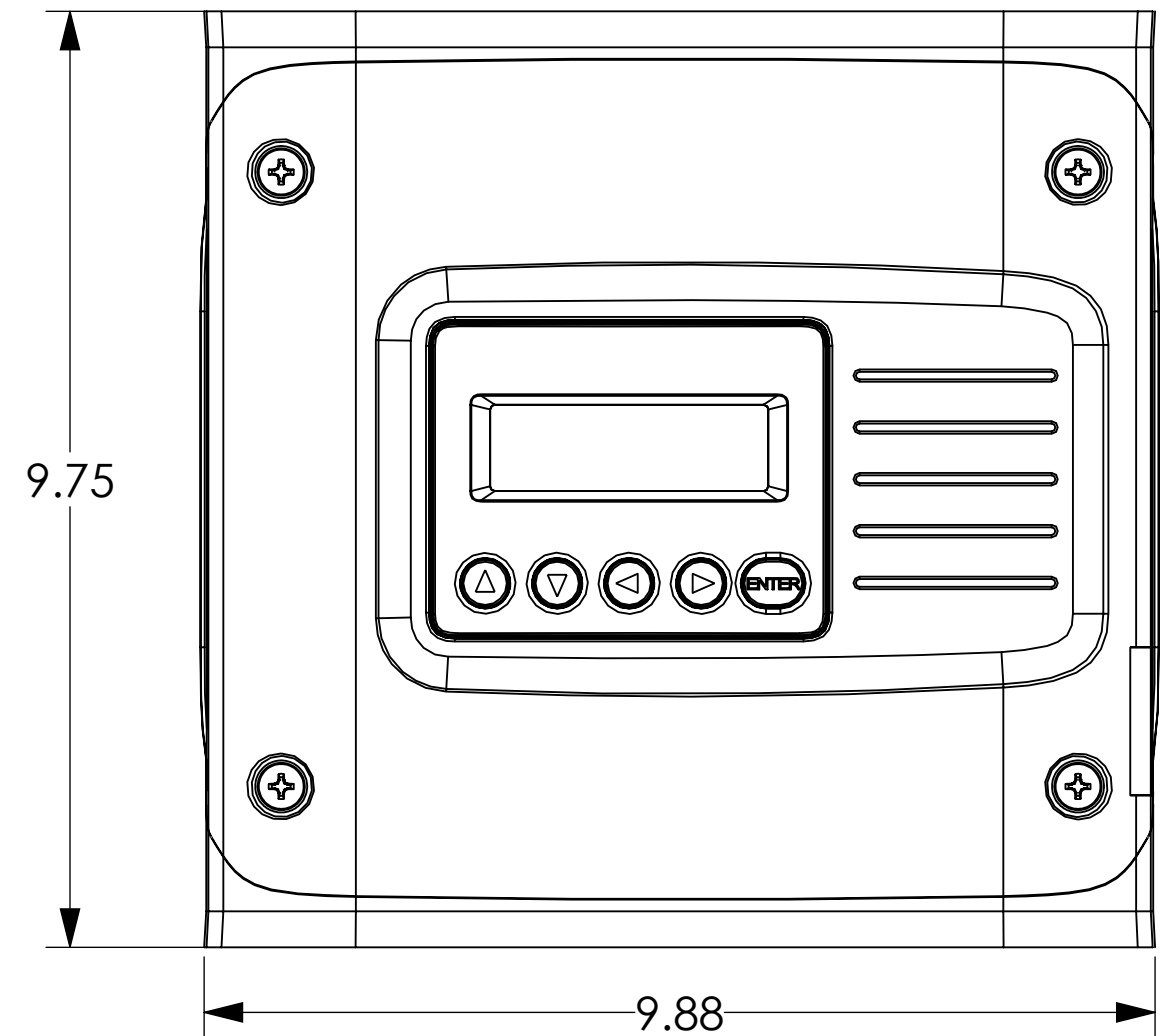
3

2

1

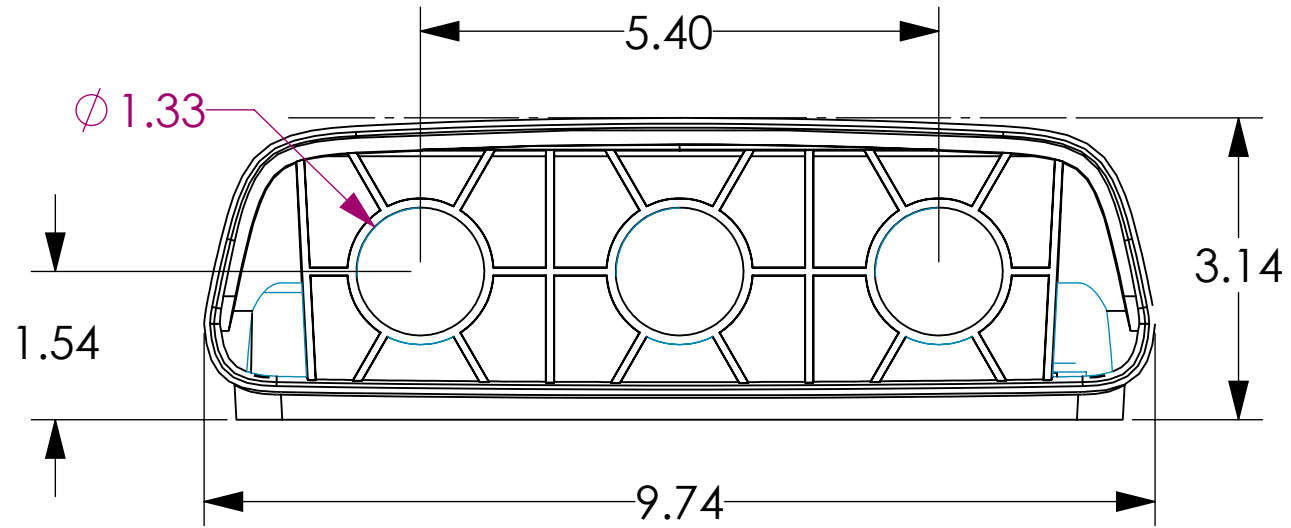
B

B



A

A




4

3

2

1

 FART O' BEMSIO GROUP	UNLESS OTHERWISE SPECIFIED:	NAME	DATE	TITLE: PS12FX ENCLOSURE
	DIMENSIONS ARE IN INCHES TOLERANCES: FRACTIONAL $\pm 1/64$ ANGULAR: MACH $\pm 0.5^\circ$ TWO PLACE DECIMAL $\pm .02$ THREE PLACE DECIMAL $\pm .010$	DRAWN	JB	
PROPRIETARY AND CONFIDENTIAL THE INFORMATION CONTAINED IN THIS DRAWING IS THE SOLE PROPERTY OF DENT INSTRUMENTS, INC. ANY REPRODUCTION IN PART OR AS A WHOLE WITHOUT THE WRITTEN PERMISSION OF DENT INSTRUMENTS, INC. IS PROHIBITED.	INTERPRET GEOMETRIC TOLERANCING PER:	CHECKED		SIZE DWG. NO. REV B PS12FXCDN A SCALE: 1:2 SHEET 1 OF 1
	MATERIAL	ENG APPR.		
	CYCLOY C2950 PCABS FINISH MT-11020 BLACK (PMS-3)	MFG APPR.		
DO NOT SCALE DRAWING	COMMENTS:	Q.A.		
	06.05.2026 - Updated sheet format			