

Quick Start Guide

ELITE*pro* SP™

and

ELOG™ Software

NEED HELP?



CALL TECH SUPPORT: 541.388.4774 or 800.388.0770

IMPORTANT: Do not connect the **ELITE*pro* SP** to your computer until you have installed ELOG 12b.

E-MAIL: TECHHELP@DENTINSTRUMENTS.COM

DENT Instruments | 925 SW Emkay Dr. | Bend, Oregon 97702 USA
Phone 541.388.4774 | Fax 541.385.9333 | www.DENTInstruments.com

ELITE^{PRO} SP™ SAFETY SUMMARY AND SPECIFICATIONS

<p>This general safety information is to be used by both the Logger operator and servicing personnel. DENT Instruments, Inc. assumes no liability for user's failure to comply with these safety guidelines.</p>	  4RH8 E186827	<p>Conforms to UL Std 61010-1 Certified to CSA Std C22.2 No. 61010-1</p>
<p>The ELITE^{pro} SP™ is an Over-Voltage Category III device. Use approved rubber gloves with mechanical protection and goggles when operating the device.</p>		
<p>CAUTION: This LOGGER may contain life threatening voltages. QUALIFIED PERSONNEL MUST disconnect all high voltage wiring before using or servicing the LOGGER.</p>		



Warning: Use of this device in a manner for which it is not intended may impair its means of protection.

SYMBOLS ON EQUIPMENT



Denotes caution. See manual for a description of the meanings.

When connecting the ELITE^{pro} SP to an AC load, follow these steps in sequence to prevent a shock hazard.



1. If possible, de-energize the circuit to be monitored.
2. Connect the CTs to the phases being monitored.
3. Connect the voltage leads to the different phases. Use proper safety equipment (gloves, mask, and protective clothing) as required for the voltages monitored.



Risk of electric shock. Life threatening voltages may be present. Qualified personnel only.



DO NOT EXCEED 600V Phase to Phase. This logger is equipped to monitor loads up to 600V. Exceeding this voltage will cause damage to the logger and danger to the user. Always use a Potential Transformer (PT) for loads in excess of 600V. The ELITE^{pro} SP is a 600 Volt Over Voltage Category III device.



Dispose of properly.



IN: 6-10 VDC, 500 mA
OUT: 6 VDC, 200 mA maximum



USB port

SENSOR LIMITATIONS

USE ONLY SHUNTED CURRENT TRANSFORMERS (CTs).

Do not use other CTs. Only use shunted CTs with a 333mV maximum output only. Serious shock hazard and logger damage can occur if unshunted CTs are used. The UL listing covers the use of the following DENT Instruments CTs that are UL Recognized and have been evaluated to IEC 61010-1:



CT-HSC-020-X (20A Mini), CT-HSC-050-X (50A Mini), CT-HMC-0100-X (100A Midi), and the CT-HMC-0200-X (200A Midi). The use of any other CT will invalidate the UL Listing of the **ELITEpro SP**.

Pulse: Use only "dry contact" non-energized pulse inputs. Use of energized pulse initiators can cause damage to the logger and a potential shock hazard to the user. Wiring must meet 600V AC CAT III rating.



Equipment protected throughout by double insulation (IEC 536 Class II). CAT III 80-600 VAC 125mA 50/60 Hz

MAINTENANCE

There is no required maintenance with the **ELITEpro SP**. Abide by the following items:



Cleaning: No cleaning agents, including water, shall be used on the **ELITEpro SP**.

Battery Life: The lithium battery is only used to maintain the date and clock settings during power failure and has a life expectancy of greater than 10 years. Contact DENT Instruments for service. No accessories are approved for use with the **ELITEpro SP** other than those specified in the DENT Instruments product literature and price sheets.

If the logger appears damaged or defective, first disconnect all power and sensors. Call or email technical support for assistance.

DENT Instruments
Bend, Oregon USA
Phone: 541.388.4774
DENTinstruments.com
Email: techhelp@DENTinstruments.com

ELITE^{PRO} SP™ RÉSUMÉ DE SÉCURITÉ ET SPÉCIFICATIONS

<p>Cette information de sécurité est destinée à être utilisée à la fois par l'opérateur de l'enregistreur et le personnel de service. DENT Instruments, Inc n'assume aucune responsabilité pour l'utilisateur qui ne respecte pas les directives en matière de sécurité.</p>	  4RH8 E186827	<p>Conforme à UL Std 61010-1 Certifié CSA Std C22.2 No. 61010-1</p>
<p>Le ELITE^{PRO} SP est un appareil de surtension de catégorie III. Utiliser des gants en caoutchouc approuvé avec protection mécanique et des lunettes lors de l'utilisation de l'appareil.</p>		
<p>ATTENTION: Ce LOGGER peut contenir de hautes tensions qui peuvent être dangereuses. UN PERSONNEL QUALIFIÉ DOIT débrancher tous les câbles à haute tension avant d'utiliser ou de réparer du LOGGER.</p>		



Attention: L'utilisation de cet appareil d'une manière pour laquelle il n'est pas destiné peut annuler ses moyens de protection.

SYMBOLES DES EQUIPEMENTS



Signifie prudence. Voir le manuel pour une description de la signification.

En faisant la connexion du **ELITE^{PRO} SP** à une prise de courant alternatif, suivez ces étapes en ordre pour empêcher un risque de choc.



1. Décharger le circuit à contrôler.
2. Connectez le TC aux phases à surveiller.
3. Connectez les fils de tension à des phases différentes. Utiliser des équipements de sécurité (gants et des vêtements de protection) qui sont nécessaires pour les tensions surveillées.



Indique haute tension. Risque de choc électrique. Hautes tensions peuvent être présentes qui mettent la vie en danger. Personnel qualifié uniquement.



NE PAS DEPASSER 600V Phase à Phase. Ce compteur peut contrôler les charges jusqu'à 600V. Le dépassement de cette tension peut causer des dommages à l'appareil et du danger pour l'utilisateur. Utiliser toujours le potentiel transformateur (PT) pour des charges de plus de 600V. Le **ELITE^{PRO} SP** est un appareil à 600 V de surtension de catégorie III.



Se débarrasser de correctement.



IN: 6-10 VDC, 500 mA
OUT: 6 VDC, 200 mA maximum



USB port

LIMITATIONS DE DÉTECTEUR

UTILISEZ SEULEMENT TRANSFORMATEURS DE COURANT (TC) SHUNTÉE.



N'utilisez pas d'autres TC. Utilisez seulement des TC shuntée avec une puissance maximale 333mV. Un sérieux risque de décharge électrique et des dommages à l'enregistreur peut se produire si des TC pas shuntée sont utilisés. Utiliser seulement les CTs des DENT Instruments suivants qui sont énumérés jusqu'au 600V/CATIII.

CT-HSC-020-U,CT-HSC-050-U,CT-HMC-0100-U,CT-HMC-0200-U



Impulsion: n'utilisez que "contact sec" impulsion intrants non charger. Utilisation de impulsion initiateurs charger peut causer des dommages à l'enregistreur et une décharge électrique potentielle pour l'utilisateur. Il faut que l'installation électrique satisfasse l'évaluation de 600V AC CATIII.



L'équipement protégé en double isolation (IEC 536 Classe II). CAT III 80-600 VAC 125mA 50/60 Hz

Entretien

Il n'y a aucun entretien requis avec le **ELITEpro SP**. Respectez les points suivants:

Nettoyage: Aucun agents de nettoyage, y compris l'eau, doit être utilisé sur le **ELITEpro SP**.

Espérance de Vie de la Batterie: La pile au lithium est utilisée uniquement pour maintenir les paramètres de date et d'heure en cas de coupure de le courant et a une espérance de vie de plus de 10 ans. Contactez DENT Instruments pour le service.

Pas d'accessoires approuvés pour une utilisation avec le **ELITEpro SP** sauf ceux spécifiés par DENT Instruments dans ses documentations sur les produits et également sur les prix.

Si le compteur semble endommagé ou défectueux, tout d'abord déconnecter le pouvoir de l'appareil. Alors s'il vous plaît appelez 541.388.4774 ou contacter par courriel l'assistance technique pour obtenir de l'aide.

DENT Instruments

Bend, Oregon USA

Phone: 541.388.4774

DENTinstruments.com

Email: techhelp@DENTinstruments.com

ELITE^{PRO} SPTM TECHNICAL SPECIFICATIONS

Specification	Description
Service Types	Single Phase-Two Wire, Single Phase-Three Wire, Three Phase-Four Wire (WYE), Three Phase-Three Wire (DELTA)
Voltage Channels	80-600VAC (80-800VDC), Line-to-Line : 1-600 (1-800 VDC) with External Power
Current Channels	Uses voltage output CTs (0-333 mVAC) for maximum safety
Maximum Current Channel Input Voltage	0-666 mVAC or 0-1.0VDC
Measurement Type	True RMS using high-speed digital signal processing (DSP)
Line Frequency	DC/50/60/400Hz
Waveform Sampling	12 kHz
Channel Sampling Rate (internal sampling)	200 samples/cycle at 60Hz 240 samples/cycle at 50Hz 30 samples/cycle at 400Hz
Data Interval	The default integration period is fifteen minutes. The choices are 1, 3, 15, 30 seconds; 1, 2, 5, 10, 15, 20 and 30 minutes; 1 and 12 hours; 1 day. This tells the logger at what time intervals data is to be stored in the memory. For example, if the integration period is set for 30 minutes and average watts is being monitored, then every 30 minutes the logger records the average power use (watts) for that channel over the preceding 30 minute interval, based on approximately 14,400 measurements of the monitored power draw. If Maximum (and/or Minimum) values are being recorded the highest (and/or lowest) of those 14,400 readings are also saved.
Measurements	Volts, Amps, Amp-Hrs (Ah), kW, kWh, kVAR, kVARh, kVA, kVAh, Displacement Power Factor (dPF). All parameters for each phase and for system total. ¹
Accuracy	Better than 1% (<0.5% typical) for V, A, kW, kVAR, kVA, PF ²
Resolution	0.01 Amp, 0.1 Volt, 0.1 Watt, 0.1 VAR, 0.1 VA, 0.01 Power Factor
LED Indicators	Tri-colors (red, green, and blue): 1 LED to indicate communication, 4 LEDs for correct phasing (green when voltage and current on the same phase; red when incorrectly wired, blue for wireless, Bluetooth wireless technology, and Ethernet), 2 LED output indicators

Specification	Description
Pulse Output	Open collector 75 mA maximum current, 5 Hz maximum frequency
Communication	
USB (Standard)	USB standard. 1.8 M (6 FT) A-to-B USB Cable (included)
ETHERNET (Standard)	Standard RJ-45 Connector supports 10/100 MB Ethernet over Cat 5 or better. Configure for DHCP or Static IP address.
<i>BLUETOOTH</i> [®] WIRELESS TECHNOLOGY (Optional)	Internal antenna: typical conditions <10ft up to 100ft range. Requires <i>Bluetooth</i> wireless technology adapter on Window PC. Adapter must support the Serial Port Profile (SPP).
WiFi ADAPTER (Optional)	Internal WiFi adapter with two separate configurations: Internal antenna: typical conditions <75ft up to 300ft External 3 dbi antenna: typical conditions <150ft up to 300ft
Power	
Line Power Supply	From L1 Phase to L2 Phase: 80-600VAC CAT III 50/60Hz Line-to-Line. 125mA Maximum current input Non-user replaceable .5 Amp internal fuse protection
Power In (optional)	6-10 VDC maximum, 500 mA minimum
Power Out	6 VDC, 200 mA maximum
Mechanical	
Operating Temperature	-7 to + 60°C (20 to 140°F)
Humidity	5% to 95% non-condensing
Enclosure	ABS plastic, 94-V0 flammability rating
Weight	340 g (12 ounces, excluding sensors and leads)
Dimensions	69 x 58 x 203 mm (2.7" x 2.2" x 8.0")

Minimum System Requirements

Operating System	Windows® 7 (32 or 64 bit), Windows 8, Vista (32 or 64 bit) or XP
Processor	Pentium Class 1 GHz or more recommended
Hard Drive	50 MB minimum available
Communications Port	One USB
CD Drive	CD or DVD drive required for software installation

¹ For 400Hz Volts, Amps, Amp-Hrs (Ah), kW, kWh, kVA, kVAh only

² Better than 2% at 400Hz

QUICK START GUIDE

The Quick Start Guide quickly gets you set up and operating with the new **ELITEpro SP**™ and ELOG 12b software and is recommended for those that have experience with DENT Instruments or are familiar with power measuring products and procedures.

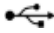
To set up the **ELITEpro SP** for any monitoring session the following items must be completed:

- 1) **Current Transformers (CTs)** must be connected to one or more of the channel inputs (unless doing voltage-only measurements).
- 2) **Line voltage connections** must be made for *any* voltage or power measurements both for measurement purposes and to power the **ELITEpro SP**.
- 3) **A Setup Table** that tells the meter *how* and *what* to measure must be created in the ELOG software and loaded into the **ELITEpro SP**.

The information contained in the following section is provided as an example on how to set up a single phase, 2-wire power measurement session using the **ELITEpro SP** and ELOG software. Use this as a guide for your own monitoring project.

Did You Know? To complete this Quick Start you do not need to have the **ELITEpro SP** connected to an actual load. You can do a mock setup at your desk to review how the software and logger work together.

Install the ELOG 12b Software and the USB Driver

- 1) Install the ELOG Software onto your computer.
 - a) Insert the ELOG CD into your computer. The installation will run automatically. If it does not, browse to the CD and locate the ELOG12Installer.exe program and double-click.
 - b) Perform the setup steps onscreen.
- 2) Install the **ELITEpro SP** driver on your computer.
 - a) Connect the USB cable to a USB port on your computer, inserting the other end in the USB port on the **ELITEpro SP** (Hint: Look for this USB symbol: ). If a USB cable is to be used inside an electrical panel it must be rated to the appropriate voltage or wrapped in an appropriately rated insulating sleeve. The DENT-supplied cable does not meet this requirement without an insulating sleeve.

Did You Know? If your computer has multiple USB ports, Step 2 must be done for each USB port the **ELITEpro SP** is plugged into.

- b) Perform the setup steps onscreen. You must allow ELOG to install the driver for the **ELITEpro SP** to work correctly.
 - c) If the driver installation fails, see the **Troubleshooting Driver Installation** section of the ELOG 12B Operator's Guide.
- 3) Set the computer aside and proceed with the next section.

Set Up the ELITEpro SP

- 1) Connect the Current Transformers (CTs) to the wires of the load you are measuring. Orient the CT so that the arrow on the CT case points towards the load.

NOTE: Use only inherently safe 333mV output CTs supplied by DENT. Never use current output CTs. The UL listing covers the use of the following DENT Instruments CTs that are UL Recognized and have been evaluated to IEC 61010-1:

CT-HSC-020-X (20A Mini), CT-HSC-050-X (50A Mini), CT-HMC-0100-X (100A Midi), and the CT-HMC-0200-X (200A Midi). The use of any other CT will invalidate the UL Listing of the **ELITEpro SP**.

- 2) Make your voltage connections (L1, L2, and N). In this scenario, L3 is not used and may be set aside.
- 3) Connect the Current Transformers to the **ELITEpro SP**.

Connect the CTs to the black (Phoenix-style) connectors on the **ELITEpro SP's** end panel. Start with the left-most pair of connections which is Channel One.

- The high (+) wire of the CT (the white, banded, or numbered wire depending on CT type) should go to the left (+) screw terminal of each channel input.
- The low (-) CT wire (the black or unbanded wire) should go into the right (-) screw terminal of the channel input.
- If you are using RōCoil CTs, be sure to connect the bare wire to the "S" (shield) screw terminal. This reduces interference and improves the accuracy of the CT.



Shield Wires from DENT RoCoil CTs connected to ELITEpro SP

- 4) Connect the L1, L2, and N voltage leads to the ELITEpro SP.



Sometimes when connecting the L1 and L2 leads a small spark may be noted. This is normal and will not damage the meter.

Communicate with the ELITEpro SP

- 1) Double-click on the ELOG 12b shortcut on the Windows® desktop. (ELOG 12b is compatible with Windows 7 (32 and 64 bit), Windows 8 (32 and 64 bit), Vista (32 and 64 bit), and XP, but not older versions of Windows.)
- 2) Connect the PC to the ELITEpro SP using a USB cable.

NOTE: The ELITEpro SP automatically connects to the PC. If it does not, choose the correct location from the Ports drop-down menu. For more information regarding Friendly Ports™, see the Communicating with the ELITEpro SP content in Section 1 of the manual.

DID YOU KNOW? “Friendly Ports™” enable you to see exactly where the ELITEpro SP is connected to your PC in the event other devices are connected.

- 3) Set up the ELITEpro SP for a Single Phase, 2-Wire Load.


Create a Setup Table

In this step you will create a Setup Table that will tell the **ELITEpro SP** what to measure, how often, etc.


- 1) Select **File > New > Setup Table File** and click **OK**.

When your computer is connected to an **ELITEpro SP**, the ELOG software assumes the new setup file is for the connected device. Selecting **New** displays a Setup Table with the default parameters. If no **ELITEpro SP** or other logger is connected to the computer, the **Select A Setup Table Type** dialog box displays.

- 2) In the Quick Setups location of the dialog box, click the **Single Phase 2 Wire** speed button

 The CT Selection dialog box displays for you to enter CT values and type. Click **OK**.

- 3) Enter the following information:

- Set **Data Interval** to **1 Minute** (or other as desired).
- Set the **Line Frequency** to 50Hz or 60Hz.
- (Optional) enter "Quick Start Setup" in the **Setup Table Name**.
- If you did not choose/change values in the CT Selection window, enter the current transformer (CT) value corresponding to the selected CT if different from the default value of 100A. The CT value is the nominal maximum input (primary) rating of the CT in Amps and is printed on the CT.
- Input the phase shift (if known and if different from the default value of 1.1°) for the selected CT.
- (Optional) Click in the box beside (Channel 1) **Name** and type "110V Load".
- Click the down arrow  to the right of the **Volts** field and click **Average** (or other parameters to be recorded as desired). Repeat the selection for **Amps**, **kW** (kilowatts), **kVA** (kilovolt-amps), **PF** (power factor), and **kVAR** (kilovolt-amps reactive). You can choose any combination of values to record: Average, Minimum, Maximum, and Integrated average (e.g., kWh).

- 4) Select **File > Save As...** to save the Setup Table to the computer's hard drive. Name the table "Sample" and then click **Save**.

- 5) After connecting to the logger, click on one of the **SEND SETUP TABLE to Logger** command buttons on the Setup Table screen. Separate buttons are available at the top and lower left of the Setup Table screen. Sending a new Setup Table to the logger deletes any data still stored in the logger. ELOG 12b displays the following dialog box to ensure desired data is not lost:

SEND SETUP TABLE to Logger



- 6) Click **Send SUT and Delete Data**. This loads the new Setup Table into the meter and clears the data in the logger. The **Logging is now ON** dialog box briefly displays.
 -OR-
 Click **Download Data then Send SUT**. The **Select A Directory and A Name...** dialog box displays. Enter the name and location for the Setup Table data file. After the data is downloaded to the PC and saved, ELOG automatically sends the new Setup Table to the meter and starts logging.
 -OR-
 Click **Cancel**.

ELOG automatically initiates logging when a Setup Table is downloaded to the Logger unless the Data Logging delayed start time is being used.

View and Retrieve Logger Data

- 1) Select **Logger > Display Real-Time Values > Show As Text** to view the real-time values measured by the logger.



Allow the logger to collect several minutes of data. Collected data can be saved as an .elog file on the hard drive.

- 2) Select **Logger > Retrieve Data From Logger...**
 - a) Enter a data file name and folder to save the data or use the defaults.
 - b) Click **Save**. The data is retrieved from the logger and when finished, the downloaded data displays automatically.
- 3) Select **Data > Data File Summary** to view a text summary of the data. Select **Data > Create New Graph...** command to make graphs of the data.

DID YOU KNOW? The **ELITEpro SP** is not powered by an internal battery, unlike previous generations of **ELITEpro** instruments. Instead, the **ELITEpro SP** can be powered one of three ways:

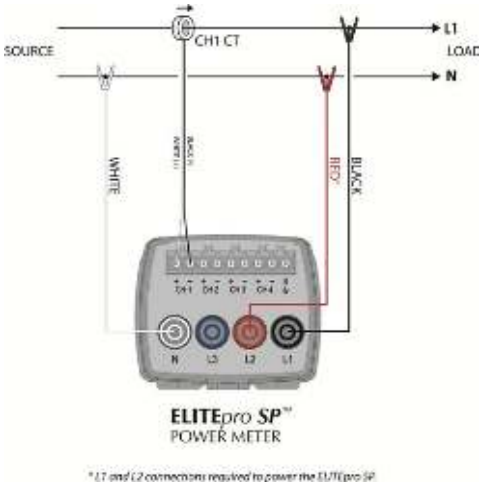
1. **Line Power:** Powering the logger happens automatically when the L1 and L2 voltage connections are made. Normally the logger is powered in the field during the course of a measurement project.
2. **USB Connection:** The logger is also powered off the USB connection while it's connected to a computer. This is ideal for when you're configuring the logger for a new project.
3. **Wall Power:** Power can also be supplied using an optional wall transformer. This may be necessary when taking current-only measurements.

For more information on powering the **ELITEpro SP**, please consult the **ELITEpro SP** manual which can also be found under the "Help" menu in ELOG or on the DENT Instruments website.

ELOG QUICK SETUP

The following diagram shows how to connect the **ELITEpro SP** CT and voltage leads and configure ELOG's Setup Table for the single phase, 2-wire power measurement session.

Single Phase, 2-Wire



As an example, configure the Setup Table as follows:



Single Phase, 2-Wire Setup Table in ELOG 12b

DENT INSTRUMENTS WARRANTY STATEMENT

Seller warrants to Buyer that the products or services are free from substantial defect in material and workmanship under normal use given prior installation and maintenance for the period of 12 months after delivery. (SMARTloggers™ are warranted for a period of 36 months after delivery. PowerScout instruments are warranted for a period of 60 months after delivery.)

Buyer will promptly notify Seller of any defect in the product or service. Seller or its agent will have the right to inspect the product or workmanship on Buyer's premises. Seller has the option to: (a) repair, replace or service at its factory or on Buyer's premises the product or workmanship found to be defective; or (b) credit Buyer for the product or service in accordance with Seller's depreciation policy. Refurbished material may be used to repair or replace the product. Products returned to Seller for repair, replacement or credit will be shipped prepaid by Buyer.

Limitation of Warranty

CORRECTION OF DEFECTS BY REPAIR, REPLACEMENT, SERVICE OR CREDIT WILL BE AT SELLER'S OPTION AND CONSTITUTE FULFILLMENT OF ALL OBLIGATIONS TO BUYER FOR BREACH OF WARRANTY.

Seller assumes no warranty liability with respect to defects in the product caused by: (a) modification, repair, installation, operation or maintenance of the product by anyone other than Seller or its agent, except as described in Seller's documentation; or (b) the negligent or other improper use of the product.

Other manufacturers' equipment purchased by Seller and resold to Buyer will be limited to that manufacturers' warranty. Seller assumes no warranty liability for other manufacturers' equipment furnished by Buyer.

No agent, distributor, or representative is authorized to make any warranties on behalf of Seller or to assume for Seller any other liability in connection with any Seller product or service.

Disclaimer of Warranty

Buyer understands and agrees as follows:

THE ABOVE WARRANTY REPLACES ALL OTHER WARRANTIES, EXPRESSED OR IMPLIED, & ALL OTHER OBLIGATIONS OR LIABILITIES OF SELLER, INCLUDING ANY WARRANTIES OF MERCHANTABILITY AND FITNESS FOR A PARTICULAR PURPOSE. ALL OTHER WARRANTIES ARE DISCLAIMED AND EXCLUDED BY SELLER. THE FOREGOING WILL BE THE SOLE AND EXCLUSIVE REMEDY WHETHER IN CONTRACT, TORT, OR OTHERWISE, & SELLER WILL NOT BE LIABLE FOR INJURIES OR DAMAGES CAUSED BY THE GROSS NEGLIGENCE OF SELLER. THIS LIMITATION APPLIES TO ALL SERVICES AND PRODUCTS DURING AND AFTER THE WARRANTY PERIOD.

Limitation of Remedies

IN NO EVENT WILL SELLER BE LIABLE FOR ANY SPECIAL, INCIDENTAL OR CONSEQUENTIAL DAMAGES OR COMMERCIAL LOSSES EVEN IF SELLER HAS BEEN ADVISED OF THE POSSIBILITY THEREOF.

General Provisions

- A. Seller reserves the right to subcontract any obligation hereunder.
- B. No waiver will be valid unless in writing and no waiver granted will release Buyer from subsequent strict compliance herewith.
- C. Seller is not liable for failure or delay in fulfilling its obligations under these Terms and Conditions due to causes beyond its reasonable control.
- D. The laws of the State of Oregon, U.S.A. will apply to all transactions hereunder. Any action hereunder will be brought in Deschutes County, in the State of Oregon, U.S.A. Any claim, except for nonpayment, will be brought within one year of product shipment or completion of services and Buyer will be liable for any collection costs or attorney fees.
- E. Claims for non-conforming orders must be submitted within 30 days from shipment date.
- F. These Terms & Conditions together with Seller's Order Acknowledgment constitute the entire agreement between the parties with respect to the subject matter hereof & supersede any prior of contemporaneous agreement or representation written or oral. Any amendment hereto must be written and signed by Seller.

Service and Support for DENT Instruments Products

Before calling, remember that many questions are answered in the Operator's Guide for your product. Furthermore, there is extensive product information on the website. In the event that you have a problem with your DENT product that you cannot resolve, please note the following information. Before contacting DENT Tech Support, note the Model Name and Serial Number for your product. You should also be prepared to list the hardware and software details of your PC and related equipment.

CONTACT DENT INSTRUMENTS TECHNICAL SUPPORT

541.388.4774 or 800.388.0770

TECHHELP@DENTINSTRUMENTS.COM

WWW.DENTINSTRUMENTS.COM