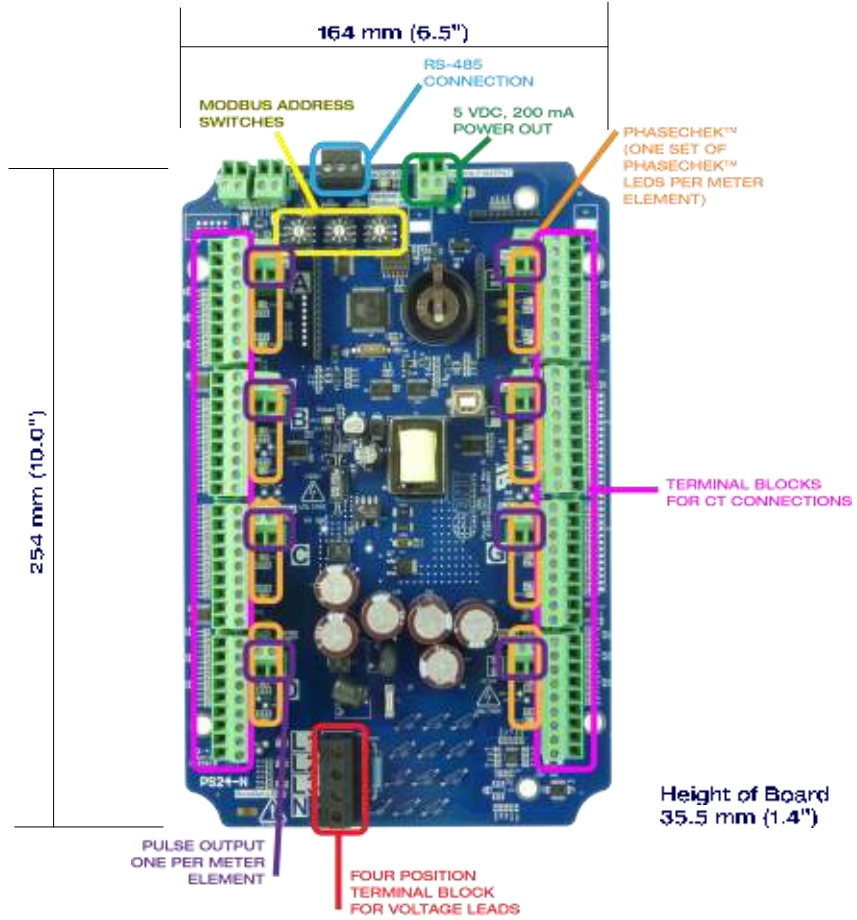


# POWERSCOUT 24 BOARD LAYOUT AND ENCLOSURE DIMENSIONS FOR INSTALLATION

rev071313



## ENCLOSURE DIMENSIONS

