

# HIGH PERFORMANCE CLAMP-ON CURRENT TRANSFORMER

## 150A EZ Clamp



DENT's affordable and compact 150A EZ Clamp current transformers are the one-handed operating solution for temporary or long-term studies. They are designed to work in tight places and clamp around insulated cables or wires.

DENT's energy monitoring components are used for a variety of applications, including building automation, tenant submetering, performance verification, energy management and new technology assessment.



### KEY SPECIFICATIONS

Window Size	1" (25 mm)
Current Range	.5 to 300A AC
Output	333 mV @ 150 A AC 2.22 mV/A AC
Accuracy	<1% From .5– 300 A AC
Phase Shift	<1° From 5-25 A AC 1° From 25-150 A AC <1.5° from 150-300 A AC

### ELECTRICAL

Max Output	666 mV @ 300 A
Wire Polarity	Red = High, positive (+) Black = Low, negative (-)
Phasing	Label on Case Points
Orientation	Toward Source
Frequency Range	50 Hz to 400 Hz

### MECHANICAL

Case Material	White ABS, UL 94 V-0
Leads	8' (2.4M), 22 gage, 600V
Working Temperature	-25° to 70 °C (-13° to 158 °F)

### SAFETY

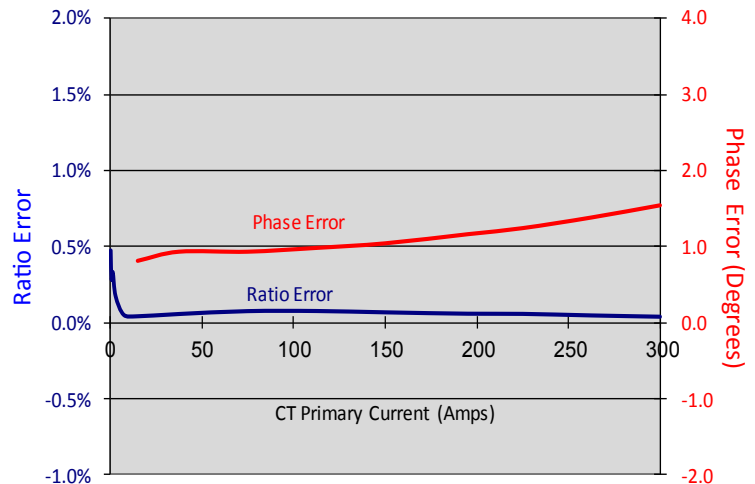
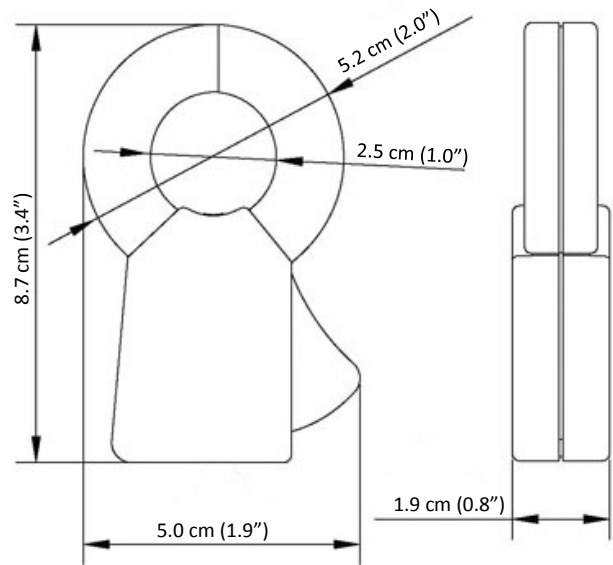
Working Voltage	600 VAC Category III
Dielectric Strength	5200 VAC, 50/60 Hz for one minute

Certifications	Conforms to: UL STD 61010-1 Certified to: CAN/CSA STD C22.2 No. 61010-1
----------------	--



### PART NUMBERS

CT-CON-0150EZ-U	Crimp ferrules on leads
CT-CON-0150EZ-B	With Banana Plugs (for use with Legacy Weather-tight PRO-Series Instruments)



### CONTACT US

DENT Instruments, Inc.  
Energy & Power Measurement Solutions

925 SW EMKAY DR  
BEND, OREGON 97702 USA  
541.388.4774 | 800.388.0770  
WWW.DENTINSTRUMENTS.COM