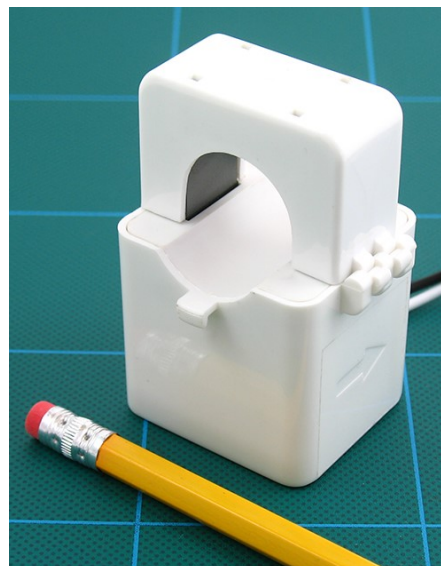


HIGH PERFORMANCE MIDI HINGED CURRENT TRANSFORMERS

200A



The hinged “Midi” CTs are high performance, medium amperage, hinged current transformers. Use for current measurement, energy metering, load surveys, demand metering, energy research, and submetering.





KEY SPECIFICATIONS	
Window Size	25mm (1.0")
Current Range	1 - 300 A AC
Output	333 mV @ 200 A AC 1.67 mV/A AC
Ratio Error*	<1.0% from 1.0 A to 300 A AC (typical)
Phase Error*	<0.5° from 1.0 A to 300 A AC

* For maximum performance, keep CT contact surfaces wiped clean and free of debris.

ELECTRICAL	
Output	333 mV @ 200 A
Wire Polarity	White = Hi, positive (+) Black = Low, negative (-)
Phasing	Arrow On Case Points
Orientation	Toward Load
Frequency Range	50 to 400 Hz

MECHANICAL	
Case Material	White Nylon, UL 94 V-0
Leads	600V, 22 gage
Operating Temperature	-15 to 60°C (5 to 140°F)
Storage Temperature	-20 to 85°C (-4 to 185°F)

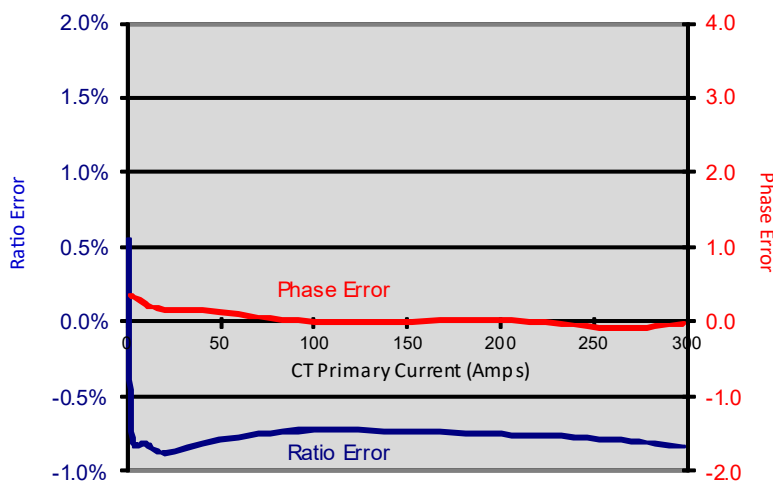
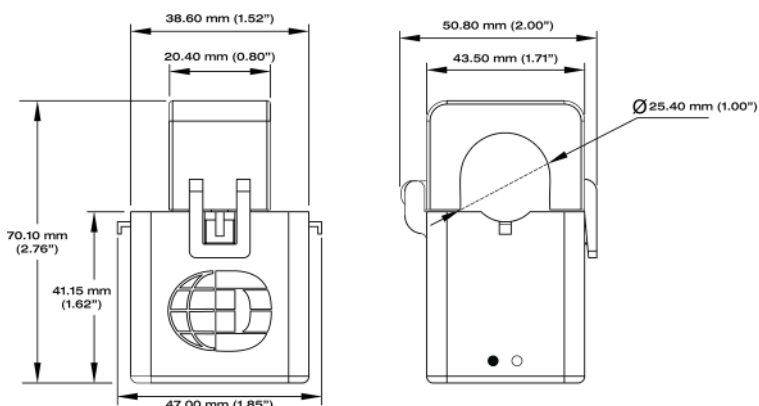
SAFETY	
Working Voltage	600 VAC, Category III
Dielectric Strength	5200 VAC for 1 minute
Safety Standards	  UL STD 61010-1 CAN/CSA STD C22.2 No. 61010-1

PART NUMBERS		
	3 M Leads	7 M Leads
200A Midi Hinged CT	CT-HMC-200-U	CT-HMC-200-U-7M

CONTACT US

DENT Instruments, Inc.
Energy & Power Measurement Solutions

925 SW EMKAY DRIVE
BEND, OREGON 97702 USA
541.388.4774 | 800.388.0770
WWW.DENTINSTRUMENTS.COM



All specifications contained in this document are subject to change without notice.
© DENT INSTRUMENTS, INC. rev 030119