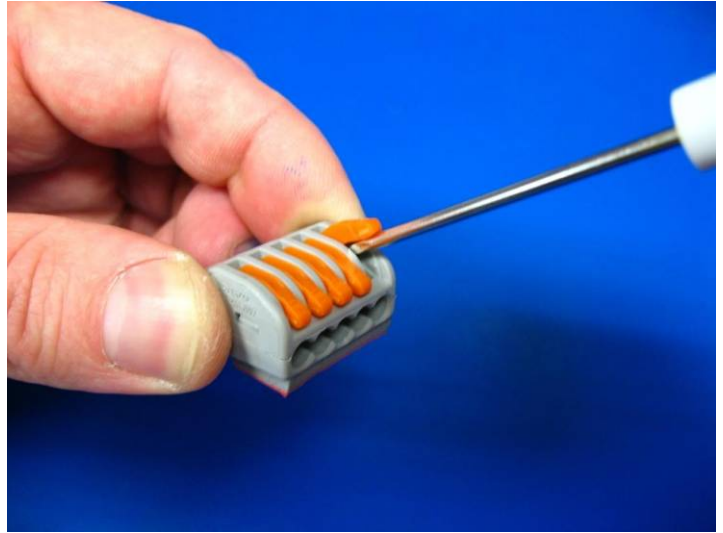


CONNECTING THE ROCOIL MV CURRENT TRANSFORMERS TO THE LINE POWERED ELITEPRO

rev 072910

NOTE: DO NOT ATTACH THE VOLTAGE LEADS UNTIL THE ROCOIL MV CURRENT TRANSFORMERS ARE CONNECTED TO THE ELITEPRO METER.

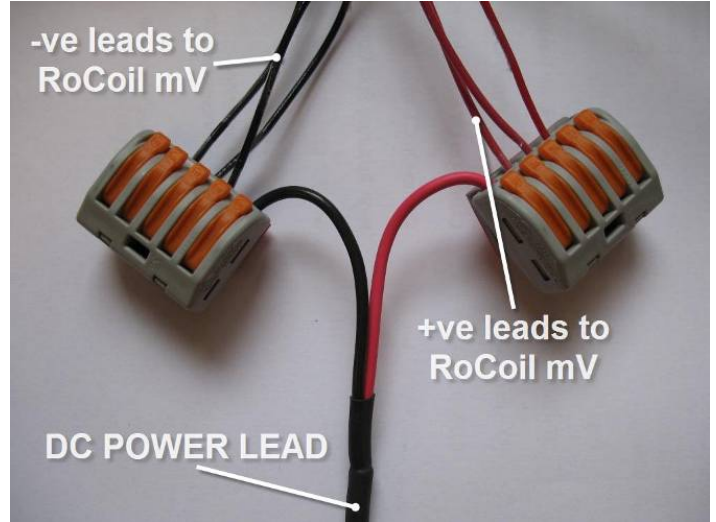
1. Open the levers on the connector using a screw driver.



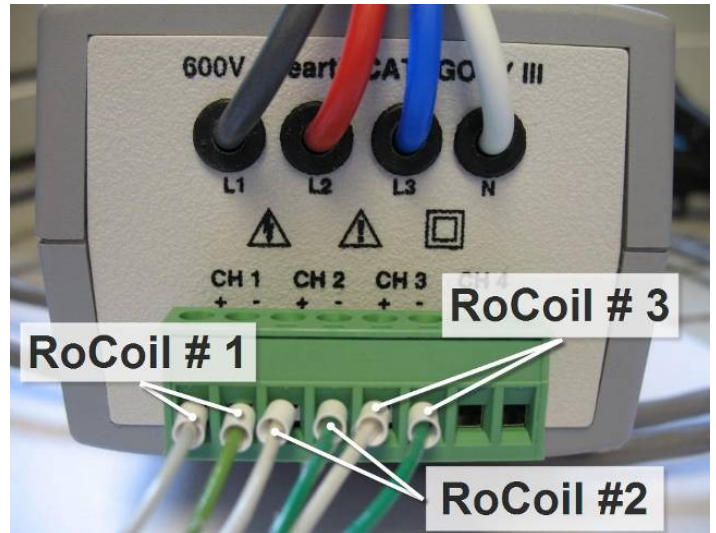
2. Place the **RED** +ve DC power lead into one connector and the **BLACK**-ve lead into the other connector.



3. Connect the leads from the RoCoil mV into the corresponding connector.



4. Screw the **GREEN** and **WHITE** leads into the 8-Position CT Connector (p/n *CT-CONN; green Phoenix connector).



4. Remove the backing from the VHB tape on the underside of the connectors and firmly press onto the ELITEpro enclosure.



5. The photo, right, shows three RoCoil mVs correctly wired and powered by a Line Powered ELITEpro instrument.



7. The RoCoil mVs can also be powered by a 120 VAC US or 100-240 VAC International wall transformer.

